

# Mercedes Benz CLS-class (C218)

WALD SPORTS LINE  
BLACK BISON EDITION

INSTALLATION MANUAL  
**WALD**  
Sportliche Autoausrüstung WALD.International

THANK YOU FOR PURCHASING. THIS IS THE INSTALLATION MANUAL OF WALD FRONT BUMPER FOR MERCEDES-BENZ C218 CLS-CLASS.  
PLEASE READ THIS MANUAL CAREFULLY BEFORE THE INSTALLATION.

## ATTENTION



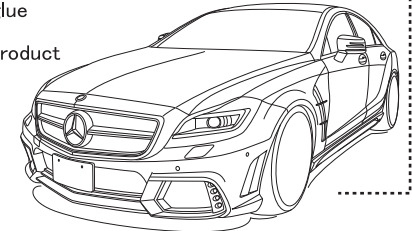
- ※ NO RETURNS CAN BE ACCEPTED BECAUSE OF IMPROPER INSTALLATION OR PAINTING.
- ※ CHECK THE FITMENT, AND ADJUST ALL THE DETAILS BEFORE PAINTING.
- We assume no responsibility for any damage resulting from improper installation, painting, modification and any cut wound in unsealing.
- Contact the car dealer when you have any question in removing OEM parts.
- During all the installation process, use parking brake and stop the engine completely.
- Use rasps or sandpapers to fit the products to the body if there is an individual difference.
- The product is made of FRP. Handle with care. Do not give the excessive force. Gradually fix the bolts and nuts by checking the fitment and balance of the installation.
- After making a hole on the body, make the corrosion treatment on it.
- Check the fitment, and adjust all the details of the fitment steady and proper. Please check the fitment and all the details regularly, fix the bolts and nuts as necessary.
- The instruction of painting is just our recommendation, please paint it as you like.
- ※ PLEASE BE AWARE OF:
  - You may lose the warranty and all the services from the car maker, because of replacing OEM parts.
  - Reduced road clearance may cause inconvenience in using parking curbs and garage jack.
  - FRP, ABS and PPE products are slightly weaker than OEM parts in crashes.
  - The product may not match the body and OEM color perfectly.

Please purchase double sided tape, primer and caulking glue at auto accessory shop or hardware store.

Completely degrease and paint primer on all the installation positions to enhance the viscosity of double sided tape.  
Use dryer to warm double sided tape to enhance the viscosity in low temperature.  
Keep the car in a dry condition more than 24 hours after gluing.  
Do not wash the car during this time.

	PARTS	QUANTITIES
FRONT BUMPER	FRONT BUMPER	1
	TOW HOOK COVER	1
	MESHES	1 SET
	LED LAMP KIT	1 SET
	LICENSE PLATE BRACKET	1
	BOLTS (M6 x 12) & NUTS	2 SETS

Use caulking glue to fill the gap between the product and the body.



## FRONT BUMPER

### [BEFORE PAINTING]

- 1) Remove OEM bumper according to the Mercedes-Benz service manual.
- 2) Temporarily install processed bumper support to WALD Front Bumper.
- ※ Do not use caulking glue at this moment yet.
- 3) Make a hole along the cutting line on WALD Front Bumper, then temporarily install the license plate bracket to WALD Front Bumper.
- ※ Adjust the details of WALD Front Bumper to fit the body by rasps or sandpapers.
- 4) Paint WALD Front Bumper according to the picture.

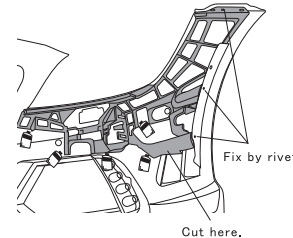
### [AFTER PAINTING]

- 5) Use caulking glue to install the meshes to WALD Front Bumper from the rear.
- 6) Install PTS and LED lamp kit to WALD Front Bumper.
- ※ Make sure the LED lamp kit is fine to work before the installation.
- 7) Use caulking glue to install bumper support to the body, then install the license plate bracket to WALD Front Bumper.
- 8) Remove and relocate necessary OEM parts to WALD Front Bumper.
- 9) Temporarily tighten all the tapping screws, clips, bolts and nuts to install WALD Front Bumper to the body.
- 10) Check all the details of the fitment, then fix them.

### ■ HOW TO PROCESS AND INSTALL BUMPER SUPPORT (STEP 2, 7)

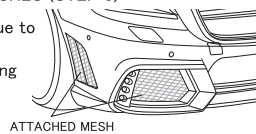
Process bumper support to fit WALD Front Bumper if it obstructs the ducts and PTS.

Use caulking glue and bigger rivets to fix bumper support.



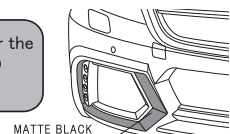
### ■ LOCATION OF THE MESHES (STEP 5)

Use pins and caulking glue to install the meshes to WALD Front Bumper along the shape of ducts from the rear.



### ■ WALD SHOWCAR IS PAINTED LIKE THE PICTURE (STEP 4)

Make clear coating for the carbon parts of WALD Front Bumper.



OEM BUMPER GRILLE

ATTACHED TOW HOOK COVER

ATTACHED BOLT (M6 x 12)

ATTACHED LICENSE PLATE BRACKET

ATTACHED NUT (M6)

HEADLIGHT WASHER COVER (From OEM front bumper)

OEM TAPPING SCREW

OEM CLIP

ATTACHED LED LAMP KIT

### ■ HOW TO INSTALL PTS (STEP 6)

Remove PTS and use caulking glue to fix them to WALD Front Bumper from the rear.

## ATTENTION



- ※ MORE THAN 2 TECHNICIANS ARE NECESSARY IN THIS WORK.
- ※ DURING ALL THE INSTALLATION PROCESS, PLEASE BE CAREFUL NOT TO DAMAGE THE BODY.
- ※ REMOVE THE BATTERY BEFORE ALL THE WIRING WORKS.

# Mercedes Benz CLS-class (C218)

WALD SPORTS LINE  
BLACK BISON EDITION

INSTALLATION MANUAL  
**WALD**  
Sportliche Autoausrüstung WALD.International

THANK YOU FOR PURCHASING. THIS IS THE INSTALLATION MANUAL OF WALD SIDE STEPS FOR MERCEDES-BENZ C218 CLS-CLASS.  
PLEASE READ THIS MANUAL CAREFULLY BEFORE THE INSTALLATION.

## ATTENTION



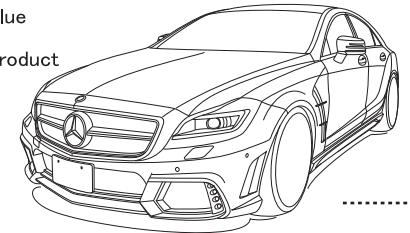
- ※ NO RETURNS CAN BE ACCEPTED BECAUSE OF IMPROPER INSTALLATION OR PAINTING.
- ※ CHECK THE FITMENT, AND ADJUST ALL THE DETAILS BEFORE PAINTING.
- We assume no responsibility for any damage resulting from improper installation, painting, modification and any cut wound in unsealing.
- Contact the car dealer when you have any question in removing OEM parts.
- During all the installation process, use parking brake and stop the engine completely.
- Use rasps or sandpapers to fit the products to the body if there is an individual difference.
- The product is made of FRP. Handle with care. Do not give the excessive force. Gradually fix the bolts and nuts by checking the fitment and balance of the installation.
- After making a hole on the body, make the corrosion treatment on it.
- Check the fitment, and adjust all the details of the fitment steady and proper. Please check the fitment and all the details regularly, fix the bolts and nuts as necessary.
- The instruction of painting is just our recommendation, please paint it as you like.
- ※ PLEASE BE AWARE OF:
- You may lose the warranty and all the services from the car maker, because of replacing OEM parts.
- Reduced road clearance may cause inconvenience in using parking curbs and garage jack.
- FRP, ABS and PPE products are slightly weaker than OEM parts in crashes.
- The product may not match the body and OEM color perfectly.

Please purchase double sided tape, primer and caulking glue at auto accessory shop or hardware store.

Completely degrease and paint primer on all the installation positions to enhance the viscosity of double sided tape.  
Use dryer to warm double sided tape to enhance the viscosity in low temperature.  
Keep the car in a dry condition more than 24 hours after gluing.  
Do not wash the car during this time.

	PARTS	QUANTITIES
SIDE STEP	SIDE STEPS	1 SET
	TAPPING SCREWS (M4 x 16)	2

Use caulking glue to fill the gap between the product and the body.



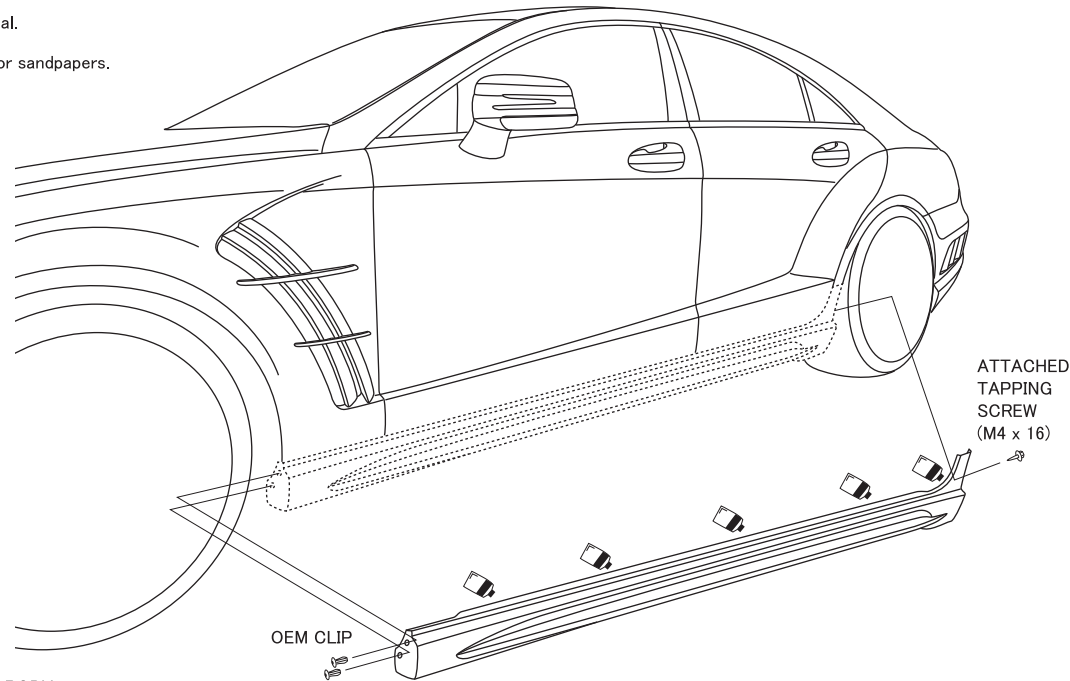
## SIDE STEP

### [BEFORE PAINTING]

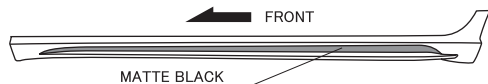
- 1) Remove OEM side steps according to the Mercedes-Benz manual.
- 2) Temporarily install WALD Side Steps to the body.
- ※ Adjust the details of WALD Side Steps to fit the body by rasps or sandpapers.
- 3) Paint WALD Side Steps according to the picture.

### [AFTER PAINTING]

- 4) Completely degrease the installation positions, then use caulking glue to install WALD Side Steps to the body.
- 5) Check all the details of the fitment.
- 6) Use masking tape to install WALD Side Steps to the body, leave them till completely fixed.



■ WALD SHOWCAR IS PAINTED LIKE THE PICTURE (STEP 3)



## ATTENTION



- ※ DURING ALL THE INSTALLATION PROCESS, PLEASE BE CAREFUL NOT TO DAMAGE THE BODY.
- ※ DEGREASE ALL THE INSTALLATION POSITIONS, AND REMOVE THE BODY PROTECTION COATING BEFORE THE INSTALLATION.
- ※ ADJUST THE DETAILS OF FITMENT IF THERE IS AN INDIVIDUAL DIFFERENCE.

WALD INTERNATIONAL

# Mercedes Benz CLS-class (C218)

WALD SPORTS LINE  
BLACK BISON EDITION

取付説明書  
**WALD**  
Sportliche Autoausrüstung WALD.International

THANK YOU FOR PURCHASING. THIS IS THE INSTALLATION MANUAL OF WALD REAR BUMPER FOR MERCEDES-BENZ C218 CLS-CLASS.  
PLEASE READ THIS MANUAL CAREFULLY BEFORE THE INSTALLATION.

## ATTENTION



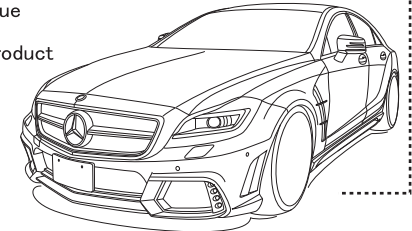
- ※ NO RETURNS CAN BE ACCEPTED BECAUSE OF IMPROPER INSTALLATION OR PAINTING.
- ※ CHECK THE FITMENT, AND ADJUST ALL THE DETAILS BEFORE PAINTING.
- We assume no responsibility for any damage resulting from improper installation, painting, modification and any cut wound in unsealing.
- Contact the car dealer when you have any question in removing OEM parts.
- During all the installation process, use parking brake and stop the engine completely.
- Use rasps or sandpapers to fit the products to the body if there is a individual difference.
- The product is made of FRP. Handle with care. Do not give the excessive force. Gradually fix the bolts and nuts by checking the fitment and balance of the installation.
- After making a hole on the body, make the corrosion treatment on it.
- Check the fitment, and adjust all the details of the fitment steady and proper. Please check the fitment and all the details regularly, fix the bolts and nuts as necessary. The instruction of painting is just our recommendation, please paint it as you like.
- ※ PLEASE BE AWARE OF:
  - You may lose the warranty and all the services from the car maker, because of replacing OEM parts.
  - Reduced road clearance may cause inconvenience in using parking curbs and garage jack.
  - FRP, ABS and PPE products are slightly weaker than OEM parts in crashes.
  - The product may not match the body and OEM color perfectly.

Please purchase double sided tape, primer and caulking glue at auto accessory shop or hardware store.

Completely degrease and paint primer on all the installation positions to enhance the viscosity of double sided tape.  
Use dryer to warm double sided tape to enhance the viscosity in low temperature.  
Keep the car in a dry condition more than 24 hours after gluing.  
Do not wash the car during this time.

	PARTS	QUANTITIES
REAR BUMPER	REAR BUMPER	1
	TOW HOOK COVER	1
	MESHES	1 SET
	LED LAMP WITH NUTS	1 SET
	BRACKETS	2
	BOLTS (M6 x 12) & NUTS	2 SETS
	BOLTS (M5 x 15) & NUTS	2 SETS

Use caulking glue to fill the gap between the product and the body.



## REAR BUMPER

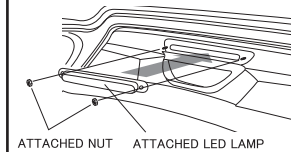
### [BEFORE PAINTING]

- 1) Remove OEM rear bumper according to the Mercedes-Benz service manual.
- 2) Process OEM reinforcement, then temporarily install WALD Rear Bumper to the body.
- ※ Adjust the details of WALD Rear Bumper to fit the body by rasps or sandpapers.
- 3) Prepare to connect the LED lamp.
- 4) Paint WALD Rear Bumper according to the picture.

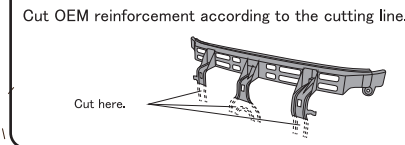
### [AFTER PAINTING]

- 5) Use caulking glue to install the meshes to WALD Rear Bumper from the rear.
- 6) Install PTS and LED lamp to WALD Rear Bumper.
- ※ Make sure the LED lamp is fine to work before the installation.
- 7) Temporarily tighten the bolts and nuts to install WALD Rear Bumper to the body.
- 8) Check all the details of the fitment, then fix the bolts and nuts.

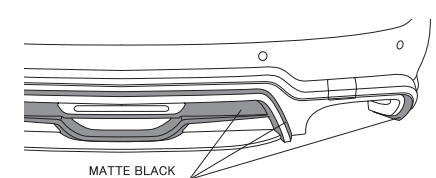
### HOW TO INSTALL THE LED LAMP (STEP 6)



### HOW TO PROCESS OEM REINFORCEMENT (STEP 2)

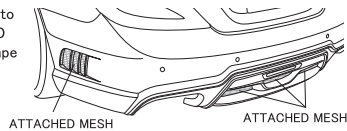


### WALD SHOWCAR IS PAINTED LIKE THE PICTURE (STEP 4)



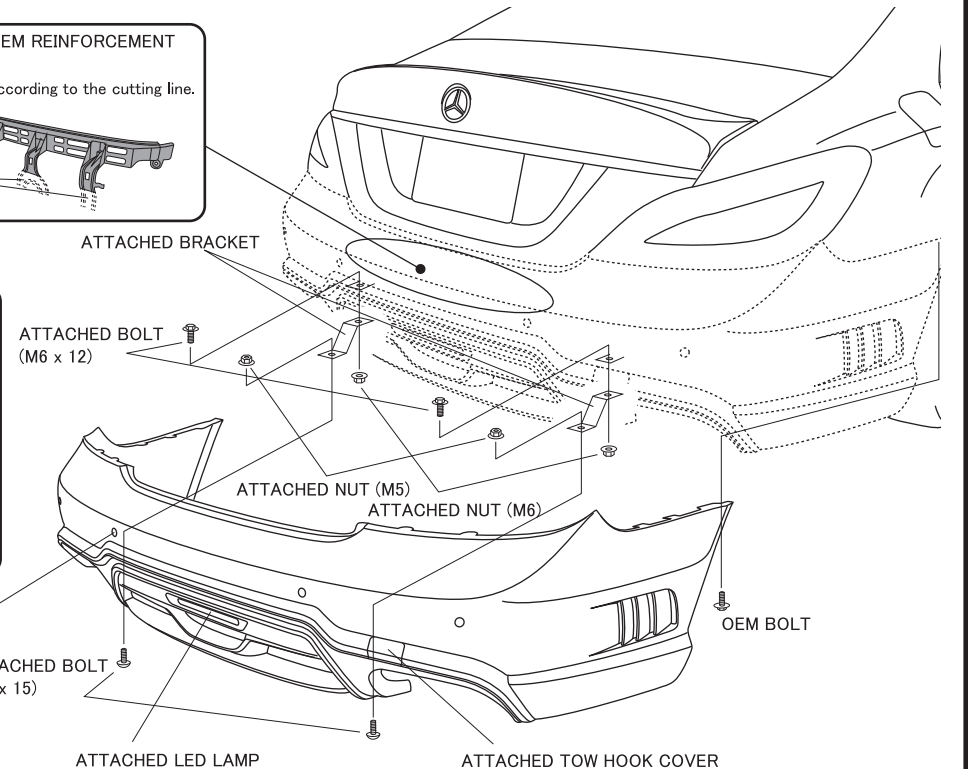
### LOCATION OF THE MESHES (STEP 5)

Use pins and caulking glue to install the meshes to WALD Rear Bumper along the shape of ducts from the rear.



### HOW TO INSTALL PTS (STEP 6)

Remove PTS and bases, then use caulking glue to fix them to WALD Rear Bumper.



## ATTENTION



- ※ MORE THAN 2 TECHNICIANS ARE NECESSARY IN THIS WORK.
- ※ DURING ALL THE INSTALLATION PROCESS, PLEASE BE CAREFUL NOT TO DAMAGE THE BODY.
- ※ REMOVE THE BATTERY BEFORE ALL THE WIRING WORKS.

# Mercedes Benz CLS-class (C218)

WALD SPORTS LINE  
BLACK BISON EDITION

取付説明書  
**WALD**  
Sportliche Autoausrüstung WALD.International

THANK YOU FOR PURCHASING. THIS IS THE INSTALLATION MANUAL OF WALD SPORTS FENDER DUCTS FOR MERCEDES-BENZ C218 CLS-CLASS.  
PLEASE READ THIS MANUAL CAREFULLY BEFORE THE INSTALLATION.

## ATTENTION




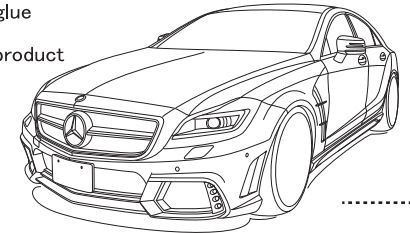
- ※ NO RETURNS CAN BE ACCEPTED BECAUSE OF IMPROPER INSTALLATION OR PAINTING.
- ※ CHECK THE FITMENT, AND ADJUST ALL THE DETAILS BEFORE PAINTING.
- We assume no responsibility for any damage resulting from improper installation, painting, modification and any cut wound in unsealing.
- Contact the car dealer when you have any question in removing OEM parts.
- During all the installation process, use parking brake and stop the engine completely.
- Use rasps or sandpapers to fit the products to the body if there is an individual difference.
- The product is made of FRP. Handle with care. Do not give the excessive force. Gradually fix the bolts and nuts by checking the fitment and balance of the installation.
- After making a hole on the body, make the corrosion treatment on it.
- Check the fitment, and adjust all the details of the fitment steady and proper. Please check the fitment and all the details regularly, fix the bolts and nuts as necessary.
- The instruction of painting is just our recommendation, please paint it as you like.
- ※ PLEASE BE AWARE OF:
- You may lose the warranty and all the services from the car maker, because of replacing OEM parts.
- Reduced road clearance may cause inconvenience in using parking curbs and garage jack.
- FRP, ABS and PPE products are slightly weaker than OEM parts in crashes.
- The product may not match the body and OEM color perfectly.

Please purchase double sided tape, primer and caulking glue at auto accessory shop or hardware store.

Completely degrease and paint primer on all the installation positions to enhance the viscosity of double sided tape.  
Use dryer to warm double sided tape to enhance the viscosity in low temperature.  
Keep the car in a dry condition more than 24 hours after gluing.  
Do not wash the car during this time.

	PARTS	QUANTITIES
SPORTS FENDER DUCT	SPORTS FENDER DUCTS	1 SET
	FINS	2 SETS
	MESHERS	1 SET

 Use caulking glue to fill the gap between the product and the body.



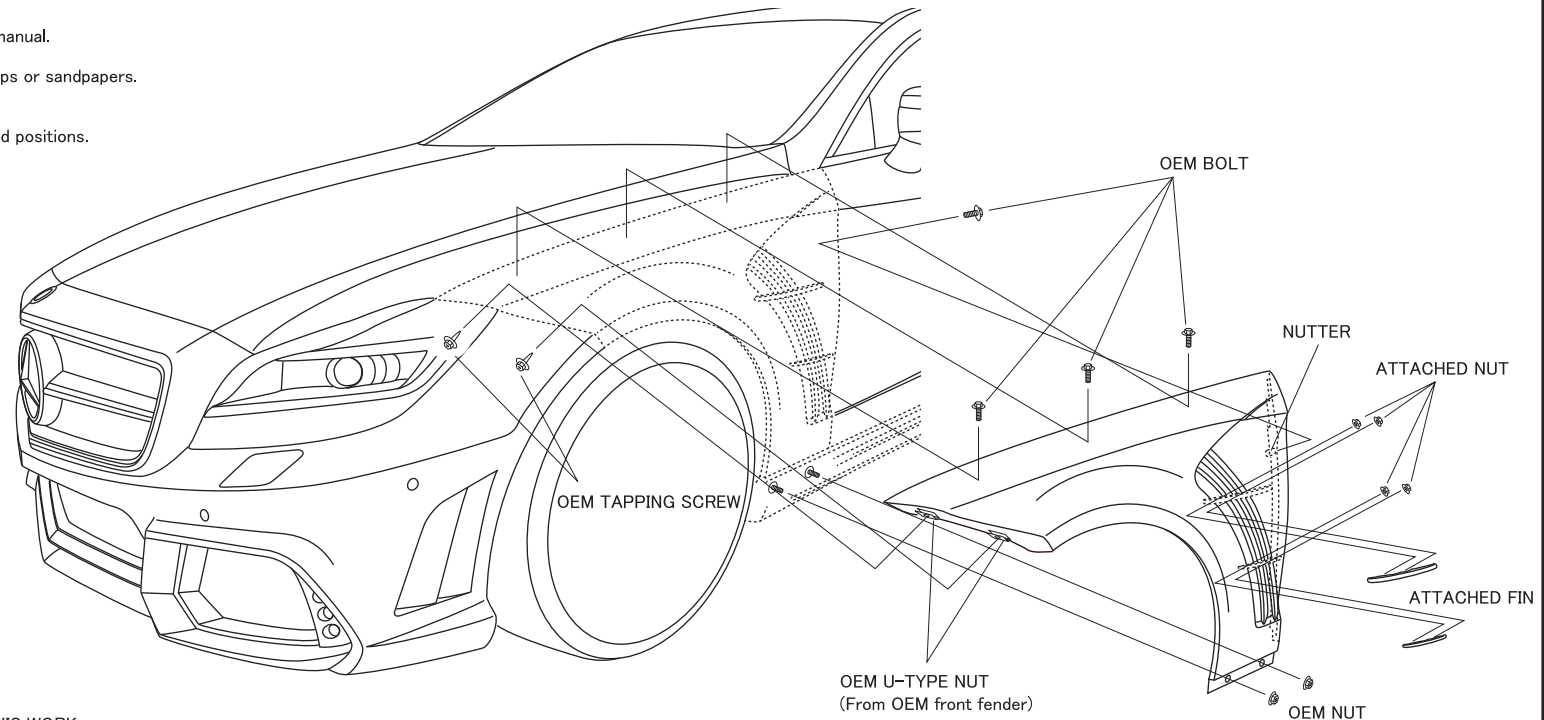
## SPORTS FENDER DUCT

### [BEFORE PAINTING]

- 1) Remove OEM front fenders according to the Mercedes-Benz service manual.
- 2) Temporarily install WALD Sports Fender Ducts to the body.
- 3) Adjust the details of WALD Sports Fender Ducts to fit the body by rasps or sandpapers.
- 4) Temporarily install the attached fins to WALD Sports Fender Ducts, then mark the installation positions to make holes.
- 4) Remove WALD Sports Fender Ducts, then make holes along the marked positions.

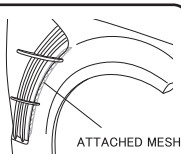
### [AFTER PAINTING]

- 5) Use caulking glue to install the meshes to WALD Sports Fender Ducts from the rear.
- 6) Install the attached fins to WALD Sports Fender Ducts.
- 7) Temporarily tighten all the tapping screws, U-type nuts, bolts and nuts to install WALD Sports Fender Ducts to the body.
- 8) Check all the details of the fitment, then fix them.



### ■ LOCATION OF THE MESHERS (STEP 5)

Use pins and caulking glue to install the meshes to WALD Sports Fender Ducts from the rear.



## ATTENTION



- ※ MORE THAN 2 TECHNICIANS ARE NECESSARY IN THIS WORK.
- ※ DURING ALL THE INSTALLATION PROCESS, PLEASE BE CAREFUL NOT TO DAMAGE THE BODY.
- ※ ADJUST THE DETAILS OF FITMENT IF THERE IS AN INDIVIDUAL DIFFERENCE.

# Mercedes Benz CLS-class (C218)

WALD SPORTS LINE  
BLACK BISON EDITION

INSTALLATION MANUAL  
**WALD**  
Sportliche Autoausrüstung WALD.International

THANK YOU FOR PURCHASING. THIS IS THE INSTALLATION MANUAL OF WALD TRUNK SPOILER AND ROOF SPOILER FOR MERCEDES-BENZ C218 CLS-CLASS.  
PLEASE READ THIS MANUAL CAREFULLY BEFORE THE INSTALLATION.

## ATTENTION



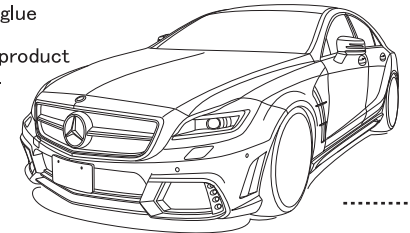
- ※ NO RETURNS CAN BE ACCEPTED BECAUSE OF IMPROPER INSTALLATION OR PAINTING.
- ※ CHECK THE FITMENT, AND ADJUST ALL THE DETAILS BEFORE PAINTING.
- We assume no responsibility for any damage resulting from improper installation, painting, modification and any cut wound in unsealing.
- Contact the car dealer when you have any question in removing OEM parts.
- During all the installation process, use parking brake and stop the engine completely.
- Use rasps or sandpapers to fit the products to the body if there is an individual difference.
- The product is made of FRP. Handle with care. Do not give the excessive force. Gradually fix the bolts and nuts by checking the fitment and balance of the installation.
- After making a hole on the body, make the corrosion treatment on it.
- Check the fitment, and adjust all the details of the fitment steady and proper. Please check the fitment and all the details regularly, fix the bolts and nuts as necessary.
- The instruction of painting is just our recommendation, please paint it as you like.
- ※ PLEASE BE AWARE OF:
  - You may lose the warranty and all the services from the car maker, because of replacing OEM parts.
  - Reduced road clearance may cause inconvenience in using parking curbs and garage jack.
  - FRP, ABS and PPE products are slightly weaker than OEM parts in crashes.
  - The product may not match the body and OEM color perfectly.

Please purchase double sided tape, primer and caulking glue at auto accessory shop or hardware store.

Completely degrease and paint primer on all the installation positions to enhance the viscosity of double sided tape.  
Use dryer to warm double sided tape to enhance the viscosity in low temperature.  
Keep the car in a dry condition more than 24 hours after gluing.  
Do not wash the car during this time.

	PARTS	QUANTITIES
TRUNK SPOILER	TRUNK SPOILER	1
ROOF SPOILER	ROOF SPOILER	1

- Use caulking glue to fill the gap between the product and the body.



## TRUNK SPOILER & ROOF SPOILER

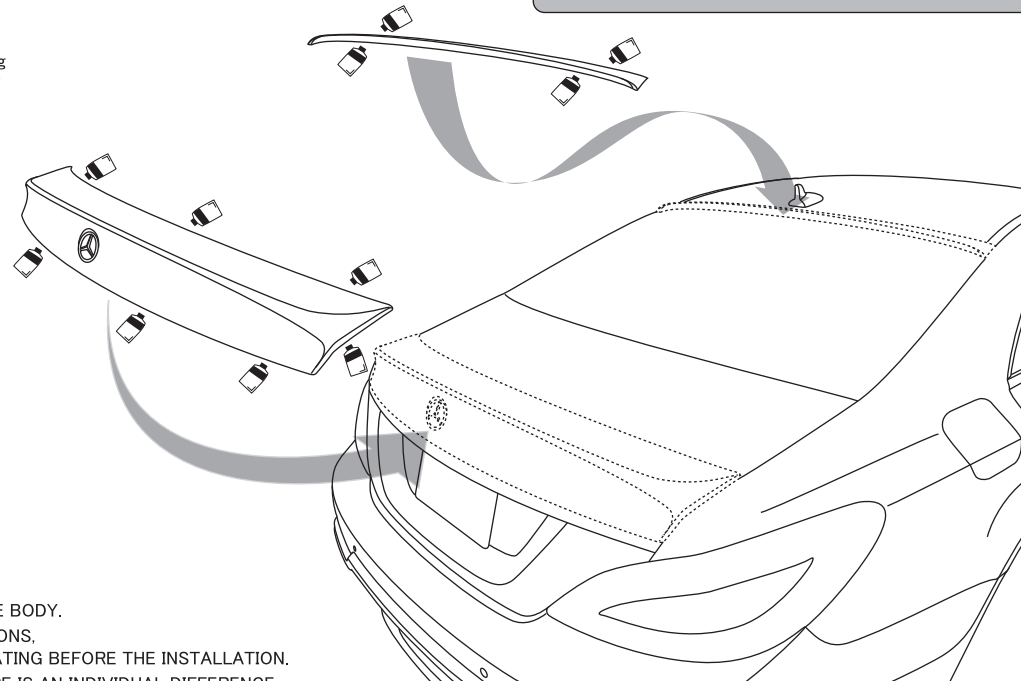
### 【BEFORE PAINTING】

- 1) Temporarily install WALD Trunk Spoiler and Roof Spoiler to the body.
- 2) Check the fitment, then use masking tape to mark the installation positions.

### 【AFTER PAINTING】

- 3) Remove emblem, then degrease WALD Trunk Spoiler and use double sided tape to fix emblem to WALD Trunk Spoiler.
- 4) Completely degrease the installation positions, then use caulking glue to install WALD Trunk Spoiler and Roof Spoiler to the body according to the marked positions.
- 5) Check all the details of the fitment, leave WALD Trunk Spoiler and Roof Spoiler till completely fixed.
- 8) Check all the details of the fitment, then fix them.

Make clear coating for the carbon parts of WALD Trunk Spoiler and Roof Spoiler.



## ATTENTION



- ※ DURING ALL THE INSTALLATION PROCESS, PLEASE BE CAREFUL NOT TO DAMAGE THE BODY.
- ※ DEGREASE ALL THE INSTALLATION POSITIONS, AND REMOVE THE BODY PROTECTION COATING BEFORE THE INSTALLATION.
- ※ ADJUST THE DETAILS OF FITMENT IF THERE IS AN INDIVIDUAL DIFFERENCE.

# Mercedes Benz CLS-class (C218)

WALD SPORTS LINE  
BLACK BISON EDITION

INSTALLATION MANUAL  
**WALD**  
Sportliche Autoausrüstung WALD.International

THANK YOU FOR PURCHASING. THIS IS THE INSTALLATION MANUAL OF LED LAMP KIT OF WALD FRONT BUMPER FOR MERCEDES-BENZ C218 CLS-CLASS. PLEASE READ THIS MANUAL CAREFULLY BEFORE THE INSTALLATION.

## ATTENTION



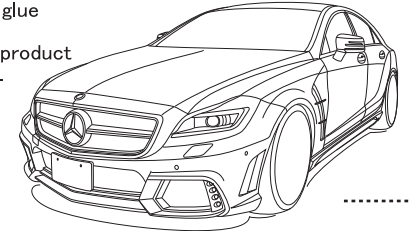
- ※ NO RETURNS CAN BE ACCEPTED BECAUSE OF IMPROPER INSTALLATION OR PAINTING.
- ※ CHECK THE FITMENT, AND ADJUST ALL THE DETAILS BEFORE PAINTING.
- We assume no responsibility for any damage resulting from improper installation, painting, modification and any cut wound in unsealing.
- Contact the car dealer when you have any question in removing OEM parts.
- During all the installation process, use parking brake and stop the engine completely.
- Use rasps or sandpapers to fit the products to the body if there is an individual difference.
- The product is made of FRP. Handle with care. Do not give the excessive force. Gradually fix the bolts and nuts by checking the fitment and balance of the installation.
- After making a hole on the body, make the corrosion treatment on it.
- Check the fitment, and adjust all the details of the fitment steady and proper. Please check the fitment and all the details regularly, fix the bolts and nuts as necessary.
- The instruction of painting is just our recommendation, please paint it as you like.
- ※ PLEASE BE AWARE OF:
- You may lose the warranty and all the services from the car maker, because of replacing OEM parts.
- Reduced road clearance may cause inconvenience in using parking curbs and garage jack.
- FRP, ABS and PPE products are slightly weaker than OEM parts in crashes.
- The product may not match the body and OEM color perfectly.

Please purchase double sided tape, primer and caulking glue at auto accessory shop or hardware store.

Completely degrease and paint primer on all the installation positions to enhance the viscosity of double sided tape.  
Use dryer to warm double sided tape to enhance the viscosity in low temperature.  
Keep the car in a dry condition more than 24 hours after gluing.  
Do not wash the car during this time.

	PARTS	QUANTITIES
LED LAMP KIT	LED LAMPS	1 SET
	LED LAMP BRACKETS WITH NUTTERS	1 SET
	BOLTS (M5 x 15)	6
	RESISTORS (25W, 10Ω)	2

Use caulking glue to fill the gap between the product and the body.



## LED LAMP KIT

### 【BEFORE PAINTING】

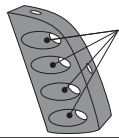
- 1) Temporarily fix the attached bolts to install the LED lamp brackets to WALD Front Bumper from the rear.
- ※ Adjust the details of WALD Front Bumper to fit the LED lamp brackets by rasps or sandpapers.
- 2) Check the position and angle of the LED lamps to fit the LED lamp brackets.
- ※ Adjust the details of the LED brackets to fit the LED lamps by rasps or sandpapers.
- 3) Prepare to connect the LED lamps.
- ※ Insulate any spare harness.
- 4) Paint the LED lamp brackets according to the picture.

### 【AFTER PAINTING】

- 5) Check all the details of the fitment, then use caulking glue to fix the LED lamps to the LED lamp brackets.
- 6) Use masking tape to fix the LED lamps to the LED lamp brackets, leave them till completely fixed.
- 7) Install them to WALD Front Bumper.

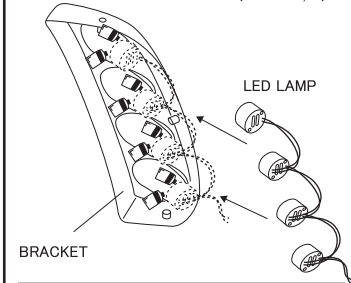
### ■ WALD SHOWCAR IS PAINTED LIKE THE PICTURE (STEP 4)

Make clear coating for the carbon parts of the LED lamp brackets.



Paint those parts into matte black even for the carbon product.

### ■ HOW TO INSTALL THE LED LAMPS (STEP 2, 5)

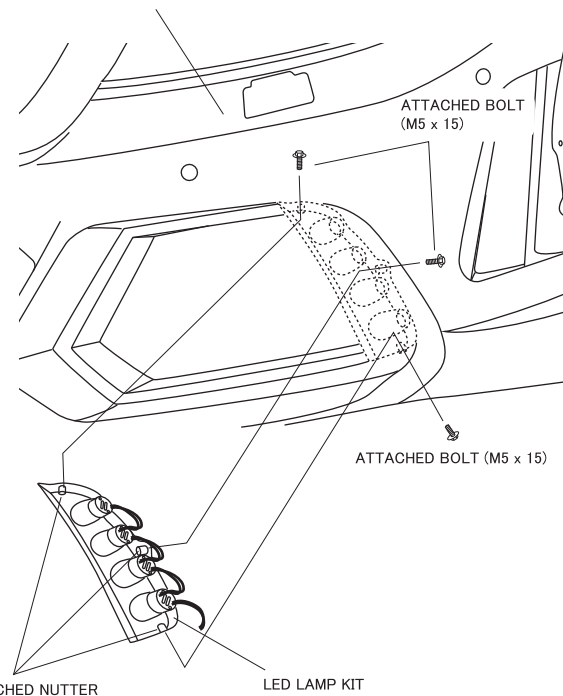


■ Use heat resistant caulking glue to fix the LED lamps to the LED lamp brackets.



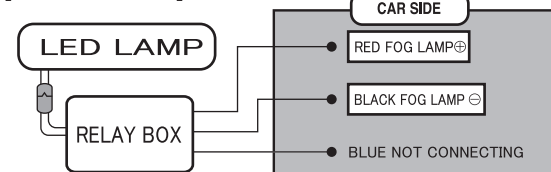
Fix the LED lamps to the LED lamp brackets according to the picture.

( Inside of WALD Front Bumper )

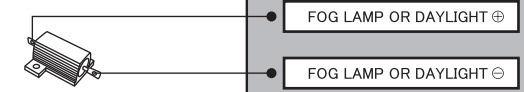
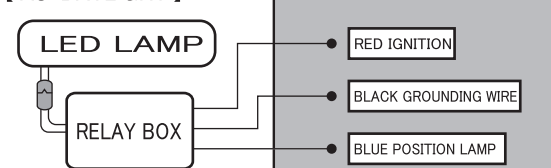


## = WIRING DIAGRAM =

### 【 AS FOG LAMP 】



### 【 AS DAYLIGHT 】



ATTACHED RESISTOR  
■ Install the attached resistors away from the harness to prevent the heat of them.

## ATTENTION



- ※ DEGREASE ALL THE INSTALLATION POSITIONS, AND REMOVE THE BODY PROTECTION COATING BEFORE THE INSTALLATION.
- ※ REMOVE THE BATTERY BEFORE ALL THE WIRING WORKS.
- ※ MAKE SURE THE LED LAMPS ARE FINE TO WORK BEFORE THE INSTALLATION.