

ROLLS-ROYCE GHOST

2010y~

WALD SPORTS LINE
BLACK BISON EDITION

INSTALLATION MANUAL
WALD
Sportliche Autoausrüstung WALD.International

THANK YOU FOR PURCHASING. THIS IS THE INSTALLATION MANUAL OF WALD FRONT BUMPER FOR ROLLS-ROYCE GHOST.
PLEASE READ THIS MANUAL CAREFULLY BEFORE THE INSTALLATION.

ATTENTION



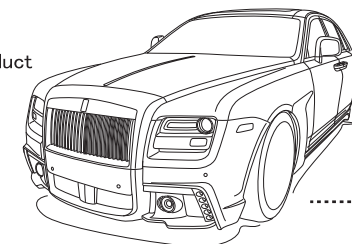
- ※ NO RETURNS CAN BE ACCEPTED BECAUSE OF IMPROPER INSTALLATION OR PAINTING.
- ※ CHECK THE FITMENT, AND ADJUST ALL THE DETAILS BEFORE PAINTING.
- We assume no responsibility for any damage resulting from improper installation, painting, modification and any cut wound in unsealing.
- Contact the car dealer when you have any question in removing OEM parts.
- During all the installation process, use parking brake and stop the engine completely.
- Use rasps or sandpapers to fit the products to the body if there is an individual difference.
- The product is made of FRP. Handle with care. Do not give the excessive force.
- Gradually fix the bolts and nuts by checking the fitment and balance of the installation.
- After making a hole on the body, make the corrosion treatment on it.
- Check the fitment, and adjust all the details of the fitment steady and proper.
- Please check the fitment and all the details regularly, fix the bolts and nuts as necessary.
- The instruction of painting is just our recommendation, please paint it as you like.
- ※ PLEASE BE AWARE OF:
- You may lose the warranty and all the services from the car maker, because of replacing OEM parts.
- Reduced road clearance may cause inconvenience in using parking curbs and garage jack.
- FRP, ABS and PPE products are slightly weaker than OEM parts in crashes.
- The product may not match the body and OEM color perfectly.

Please purchase double sided tape, primer and caulking glue at auto accessory shop or hardware store.

Completely degrease and paint primer on all the installation positions to enhance the viscosity of double sided tape.
Use dryer to warm double sided tape to enhance the viscosity in low temperature.
Keep the car in a dry condition more than 24 hours after gluing.
Do not wash the car during this time.

	PARTS	QUANTITIES
FRONT BUMPER	FRONT BUMPER	1
	TOW HOOK COVER	2
	STAINLESS MESHES & ALUMINIUM MESHES	6 SET
	LED LAMP KIT	1 SET
	FOG LAMP	1 SET

Use caulking glue to fill the gap between the product and the body.



FRONT BUMPER

【BEFORE PAINTING】

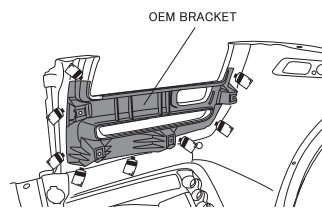
- 1) Remove OEM front bumper according to the Rolls-Royce service manual.
- 2) Process all the necessary OEM parts according to the picture to install on WALD Front Bumper.
- ※ Please do not use caulking glue at this point.
- 3) Temporarily install WALD Front Bumper to the body.
- ※ Adjust the details of WALD Front Bumper to fit the body by rasps or sandpapers.
- 4) Paint WALD Front Bumper according to the picture.

【AFTER PAINTING】

- 5) Install PTS, all the necessary OEM parts, the attached fog lamps and LED lamp kit to WALD Front Bumper. (Refer to the other installation manual).
- ※ Make sure the attached fog lamps and LED lamp kit are fine to work before the installation.
- 6) Install the attached meshes to WALD Front Bumper from the rear. (Refer to the other installation manual).
- 7) Temporarily install WALD Front Bumper to the body.
- 8) Check all the details of the fitment, then fix all the bolts and tapping screws.
- 9) Relocate OEM chrome plated panel and headlight washer covers to WALD Front Bumper.
- ※ Adjust the details of WALD Front Bumper to fit those OEM parts by rasps or sandpapers.

■ HOW TO RELOCATE OEM BRACKETS (STEP 2, 5)

To install OEM headlights, need to relocate the OEM brackets to WALD Front Bumper, then use caulking glue to fix them.

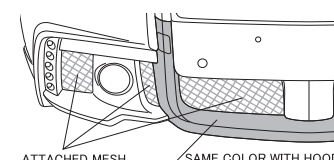


■ WALD SHOWCAR IS PAINTED LIKE THE PICTURE (STEP 4)

Paint the clear coat on the carbon part.

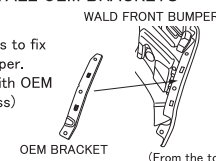
■ HOW TO INSTALL THE ATTACHED MESHES (STEP 6)

Refer to the other installation manual.



■ HOW TO INSTALL OEM BRACKETS (STEP 3, 5)

Use OEM brackets to fix WALD Front Bumper. (Exactly same with OEM installation process)



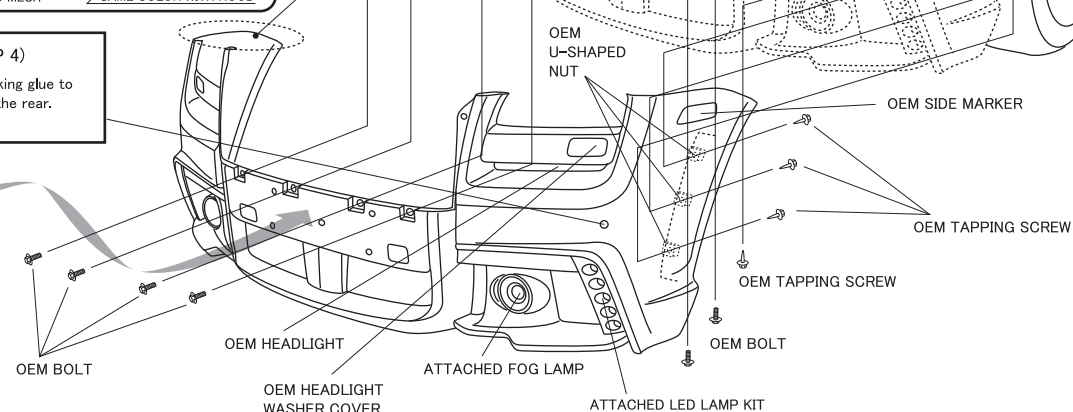
■ HOW TO INSTALL PTS (STEP 4)

Remove PTS and bases, then use caulking glue to fix them to WALD Front Bumper from the rear.

OEM CHROME PLATED PANEL
Bend the both ends to go through the holes on WALD Front Bumper

ATTENTION

- ※ MORE THAN 2 TECHNICIANS ARE NECESSARY IN THIS WORK.
- DURING ALL THE INSTALLATION PROCESS, PLEASE BE CAREFUL NOT TO DAMAGE THE BODY.
- ※ MAKE SURE THE ATTACHED FOG LAMPS AND LED LAMP KIT ARE FINE TO WORK BEFORE THE INSTALLATION
- ※ ADJUST ALL THE DETAILS OF OUR PRODUCTS TO FIT ON A CAR PERFECTLY.



ROLLS-ROYCE GHOST

2010y~

WALD SPORTS LINE
BLACK BISON EDITION

INSTALLATION MANUAL
WALD
Sportliche Autoausrüstung WALD.International

THANK YOU FOR PURCHASING. THIS IS THE INSTALLATION MANUAL OF WALD SIDE STEP FOR ROLLS-ROYCE GHOST.
PLEASE READ THIS MANUAL CAREFULLY BEFORE THE INSTALLATION.

ATTENTION



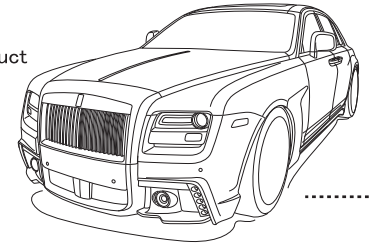
- ※ NO RETURNS CAN BE ACCEPTED BECAUSE OF IMPROPER INSTALLATION OR PAINTING.
- ※ CHECK THE FITMENT, AND ADJUST ALL THE DETAILS BEFORE PAINTING.
- We assume no responsibility for any damage resulting from improper installation, painting, modification and any cut wound in unsealing.
- Contact the car dealer when you have any question in removing OEM parts.
- During all the installation process, use parking brake and stop the engine completely.
- Use rasps or sandpapers to fit the products to the body if there is an individual difference.
- The product is made of FRP. Handle with care. Do not give the excessive force.
- Gradually fix the bolts and nuts by checking the fitment and balance of the installation.
- After making a hole on the body, make the corrosion treatment on it.
- Check the fitment, and adjust all the details of the fitment steady and proper.
- Please check the fitment and all the details regularly, fix the bolts and nuts as necessary.
- The instruction of painting is just our recommendation, please paint it as you like.
- ※ PLEASE BE AWARE OF:
- You may lose the warranty and all the services from the car maker, because of replacing OEM parts.
- Reduced road clearance may cause inconvenience in using parking curbs and garage jack.
- FRP, ABS and PPE products are slightly weaker than OEM parts in crashes.
- The product may not match the body and OEM color perfectly.

Please purchase double sided tape, primer and caulking glue at auto accessory shop or hardware store.

Completely degrease and paint primer on all the installation positions to enhance the viscosity of double sided tape.
Use dryer to warm double sided tape to enhance the viscosity in low temperature.
Keep the car in a dry condition more than 24 hours after gluing.
Do not wash the car during this time.

	PARTS	QUANTITIES
SIDE STEP	SIDE STEPS	1 SET
	BOLTS (M5 x 15)	2
	TAPPING SCREWS (M4 x 15)	6

Use caulking glue to fill the gap between the product and the body.



SIDE STEP

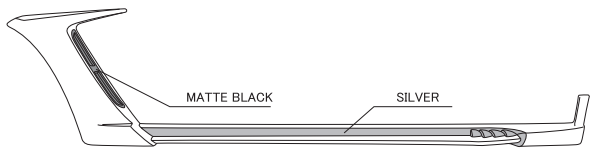
[BEFORE PAINTING]

- 1) Temporarily install WALD Side Steps to the body.
- ※ Try to install WALD Side Steps from the rear part, and adjust the details of WALD Side Steps to fit the body by rasps or sandpapers.
- 2) Mark the installation positions on the body after checking the balance between WALD Side Steps and the body.
- 3) Use drill to make holes according to the marked positions after taking off WALD Side Steps from the body.
- 4) Paint WALD Side Steps according to the picture.

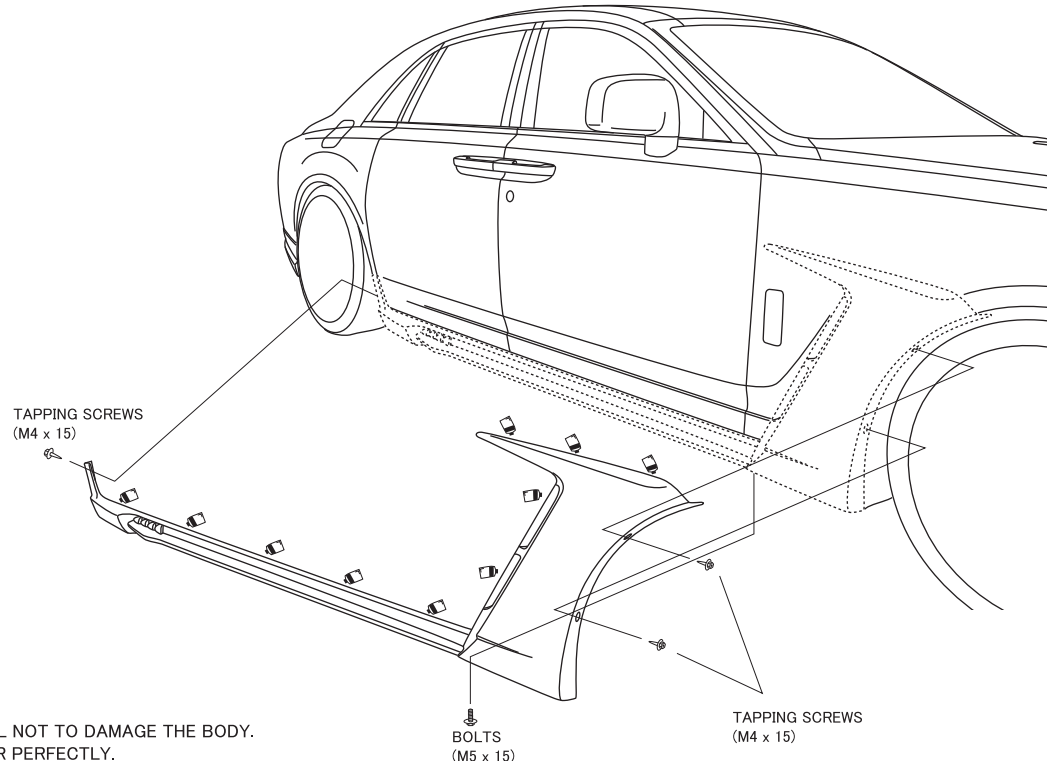
[AFTER PAINTING]

- 5) Completely degrease the installation positions, then use caulking glue to install WALD Side Steps to the body.
- 6) Use the attached bolts and tapping screws to fix WALD Side Steps.
- 7) Check all the details of the fitment, leave them till completely fixed.

■ WALD SHOWCAR IS PAINTED LIKE THE PICTURE (STEP 4)



TAPPING SCREWS
(M4 x 15)



BOLTS
(M5 x 15)

TAPPING SCREWS
(M4 x 15)



ATTENTION

- ※ MORE THAN 2 TECHNICIANS ARE NECESSARY IN THIS WORK.
- DURING ALL THE INSTALLATION PROCESS, PLEASE BE CAREFUL NOT TO DAMAGE THE BODY.
- ※ ADJUST ALL THE DETAILS OF OUR PRODUCTS TO FIT ON A CAR PERFECTLY.

ROLLS-ROYCE GHOST

2010y~

WALD SPORTS LINE
BLACK BISON EDITION

INSTALLATION MANUAL
WALD
Sportliche Autoausrüstung WALD.International

THANK YOU FOR PURCHASING. THIS IS THE INSTALLATION MANUAL OF WALD REAR BUMPER FOR ROLLS-ROYCE GHOST.
PLEASE READ THIS MANUAL CAREFULLY BEFORE THE INSTALLATION.

ATTENTION



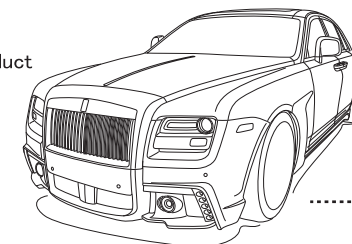
- ※ NO RETURNS CAN BE ACCEPTED BECAUSE OF IMPROPER INSTALLATION OR PAINTING.
- ※ CHECK THE FITMENT, AND ADJUST ALL THE DETAILS BEFORE PAINTING.
- We assume no responsibility for any damage resulting from improper installation, painting, modification and any cut wound in unsealing.
- Contact the car dealer when you have any question in removing OEM parts.
- During all the installation process, use parking brake and stop the engine completely.
- Use rasps or sandpapers to fit the products to the body if there is an individual difference.
- The product is made of FRP. Handle with care. Do not give the excessive force.
- Gradually fix the bolts and nuts by checking the fitment and balance of the installation.
- After making a hole on the body, make the corrosion treatment on it.
- Check the fitment, and adjust all the details of the fitment steady and proper.
- Please check the fitment and all the details regularly, fix the bolts and nuts as necessary.
- The instruction of painting is just our recommendation, please paint it as you like.
- ※ PLEASE BE AWARE OF:
- You may lose the warranty and all the services from the car maker, because of replacing OEM parts.
- Reduced road clearance may cause inconvenience in using parking curbs and garage jack.
- FRP, ABS and PPE products are slightly weaker than OEM parts in crashes.
- The product may not match the body and OEM color perfectly.

Please purchase double sided tape, primer and caulking glue at auto accessory shop or hardware store.

Completely degrease and paint primer on all the installation positions to enhance the viscosity of double sided tape.
Use dryer to warm double sided tape to enhance the viscosity in low temperature.
Keep the car in a dry condition more than 24 hours after gluing.
Do not wash the car during this time.

	PARTS	QUANTITIES
REAR BUMPER	REAR BUMPER	1
	STAINLESS MESHES & ALUMINIUM MESHES	4 SETS
	LED LAMP WITH NUTS	1
	BOLTS (M5 x 15) & NUTS	2 SETS

Use caulking glue to fill the gap between the product and the body.



REAR BUMPER

[BEFORE PAINTING]

- 1) Remove OEM rear bumper according to the Rolls-Royce service manual.
- 2) Temporarily install WALD Rear Bumper to the body.
- ※ Adjust the details of WALD Rear Bumper to fit the body by rasps or sandpapers.
- 3) Mark the location for the attached bolts to connect with the OEM under cover.
- 4) Use drill to make holes according to the marked positions after taking off WALD Rear Bumper from the body.

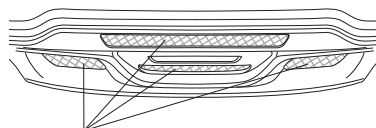
Paint the clear coat on the carbon part.

[AFTER PAINTING]

- 5) Install PTS and the attached meshes with caulking glue to WALD Rear Bumper.
- 6) Install the attached LED lamp on WALD Rear Bumper.
- ※ Make sure the LED lamp is fine to work before the installation.
- 7) Use caulking glue to fix WALD Rear Bumper, then tighten the attached bolts and nuts.
- 8) Check all the details of the fitment, leave them till completely fixed.

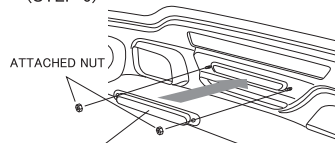
■ HOW TO INSTALL THE ATTACHED MESHES (STEP 5)

Refer to the other installation manual.

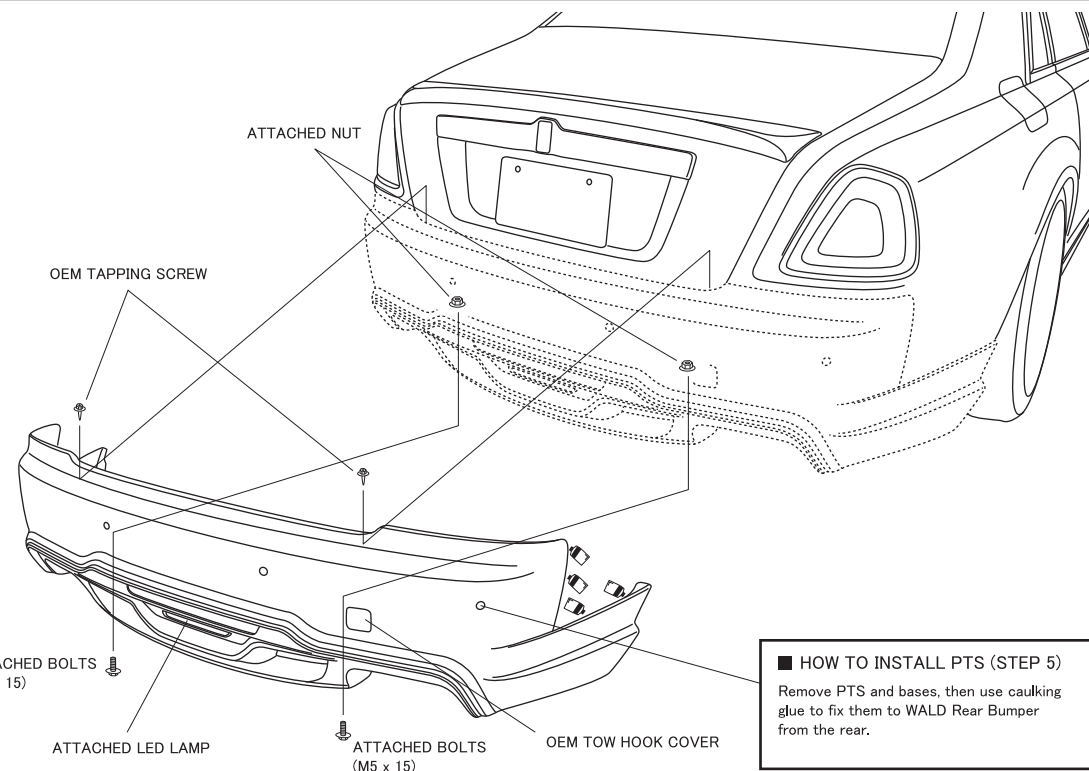


STAINLESS MESHES & ALUMINIUM MESHES

■ HOW TO INSTALL THE LED LAMP (STEP 6)



ATTACHED LED LAMP



■ HOW TO INSTALL PTS (STEP 5)

Remove PTS and bases, then use caulking glue to fix them to WALD Rear Bumper from the rear.

ATTENTION

- ※ MORE THAN 2 TECHNICIANS ARE NECESSARY IN THIS WORK.
- DURING ALL THE INSTALLATION PROCESS, PLEASE BE CAREFUL NOT TO DAMAGE THE BODY.
- ※ MAKE SURE THE ATTACHED FOG LAMPS AND LED LAMP KIT ARE FINE TO WORK BEFORE THE INSTALLATION
- ※ ADJUST ALL THE DETAILS OF OUR PRODUCTS TO FIT ON A CAR PERFECTLY.

ROLLS-ROYCE GHOST

2010y~

WALD SPORTS LINE
BLACK BISON EDITION

INSTALLATION MANUAL
WALD
Sportliche Autoausrüstung WALD.International

THANK YOU FOR PURCHASING. THIS IS THE INSTALLATION MANUAL OF WALD TRUNK SPOILER FOR ROLLS-ROYCE GHOST.
PLEASE READ THIS MANUAL CAREFULLY BEFORE THE INSTALLATION.

ATTENTION



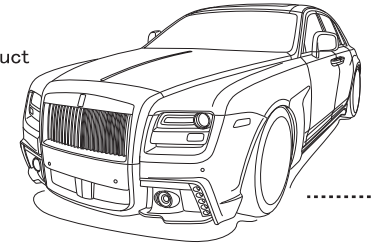
- ※ NO RETURNS CAN BE ACCEPTED BECAUSE OF IMPROPER INSTALLATION OR PAINTING.
- ※ CHECK THE FITMENT, AND ADJUST ALL THE DETAILS BEFORE PAINTING.
- We assume no responsibility for any damage resulting from improper installation, painting, modification and any cut wound in unsealing.
- Contact the car dealer when you have any question in removing OEM parts.
- During all the installation process, use parking brake and stop the engine completely.
- Use rasps or sandpapers to fit the products to the body if there is an individual difference.
- The product is made of FRP. Handle with care. Do not give the excessive force.
- Gradually fix the bolts and nuts by checking the fitment and balance of the installation.
- After making a hole on the body, make the corrosion treatment on it.
- Check the fitment, and adjust all the details of the fitment steady and proper.
- Please check the fitment and all the details regularly, fix the bolts and nuts as necessary.
- The instruction of painting is just our recommendation, please paint it as you like.
- ※ PLEASE BE AWARE OF:
 - You may lose the warranty and all the services from the car maker, because of replacing OEM parts.
 - Reduced road clearance may cause inconvenience in using parking curbs and garage jack.
 - FRP, ABS and PPE products are slightly weaker than OEM parts in crashes.
 - The product may not match the body and OEM color perfectly.

Please purchase double sided tape, primer and caulking glue at auto accessory shop or hardware store.

Completely degrease and paint primer on all the installation positions to enhance the viscosity of double sided tape.
Use dryer to warm double sided tape to enhance the viscosity in low temperature.
Keep the car in a dry condition more than 24 hours after gluing.
Do not wash the car during this time.

	PARTS	QUANTITIES
TRUNK SPOILER	TRUNK SPOILER	1

Use caulking glue to fill the gap between the product and the body.



TRUNK SPOILER

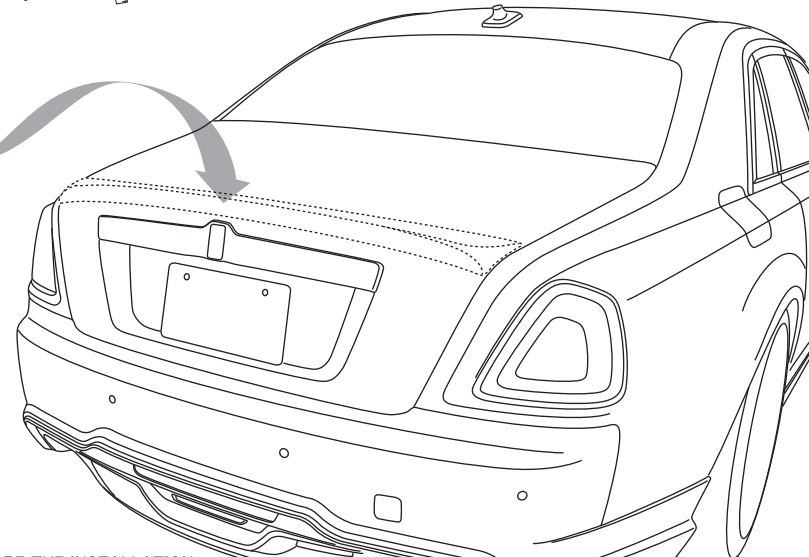
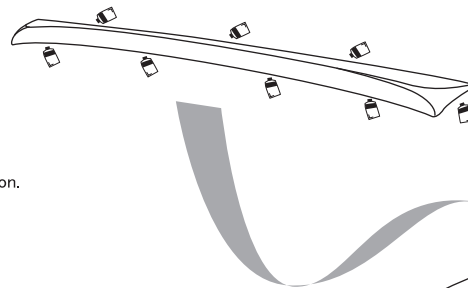
[BEFORE PAINTING]

- 1) Temporarily install WALD Trunk Spoiler to the body.
- 2) Check the fitment,
then use masking tape to mark the installation position.

Paint the clear coat on the carbon part.

[AFTER PAINTING]

- 3) Completely degrease the installation position,
then use caulking glue and masking tape to install
WALD Trunk Spoiler to the body according to the marked position.
- 4) Check all the details of the fitment, leave it till completely fixed.



ATTENTION

- ※ MORE THAN 2 TECHNICIANS ARE NECESSARY IN THIS WORK.
- ※ DURING ALL THE INSTALLATION PROCESS, PLEASE BE CAREFUL NOT TO DAMAGE THE BODY.
- ※ DEGREASE ALL THE INSTALLATION POSITION, AND REMOVE THE BODY PROTECTION COATING BEFORE THE INSTALLATION.

ROLLS-ROYCE GHOST

2010y~

WALD SPORTS LINE
BLACK BISON EDITION

INSTALLATION MANUAL
WALD
Sportliche Autoausrüstung WALD.International

THANK YOU FOR PURCHASING. THIS IS THE INSTALLATION MANUAL OF WALD LED LAMP KIT AND FOG LAMP FOR ROLLS-ROYCE GHOST.
PLEASE READ THIS MANUAL CAREFULLY BEFORE THE INSTALLATION.

ATTENTION



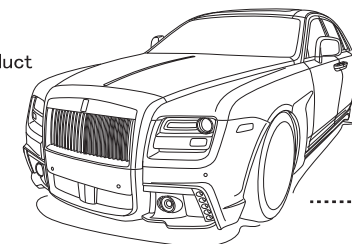
- ※ NO RETURNS CAN BE ACCEPTED BECAUSE OF IMPROPER INSTALLATION OR PAINTING.
- ※ CHECK THE FITMENT, AND ADJUST ALL THE DETAILS BEFORE PAINTING.
- We assume no responsibility for any damage resulting from improper installation, painting, modification and any cut wound in unsealing.
- Contact the car dealer when you have any question in removing OEM parts.
- During all the installation process, use parking brake and stop the engine completely.
- Use rasps or sandpapers to fit the products to the body if there is an individual difference.
- The product is made of FRP. Handle with care. Do not give the excessive force.
- Gradually fix the bolts and nuts by checking the fitment and balance of the installation.
- After making a hole on the body, make the corrosion treatment on it.
- Check the fitment, and adjust all the details of the fitment steady and proper.
- Please check the fitment and all the details regularly, fix the bolts and nuts as necessary.
- The instruction of painting is just our recommendation, please paint it as you like.
- ※ PLEASE BE AWARE OF:
- You may lose the warranty and all the services from the car maker, because of replacing OEM parts.
- Reduced road clearance may cause inconvenience in using parking curbs and garage jack.
- FRP, ABS and PPE products are slightly weaker than OEM parts in crashes.
- The product may not match the body and OEM color perfectly.

Please purchase double sided tape, primer and caulking glue at auto accessory shop or hardware store.

Completely degrease and paint primer on all the installation positions to enhance the viscosity of double sided tape.
Use dryer to warm double sided tape to enhance the viscosity in low temperature.
Keep the car in a dry condition more than 24 hours after gluing.
Do not wash the car during this time.

	PARTS	QUANTITIES
LED LAMP KIT	LED LAMPS	1 SET
	REMOTE CONTROL RELAY HARNESS	1 SET
	FOG LAMPS WITH BOLTS	1 SET

Use caulking glue to fill the gap between the product and the body.



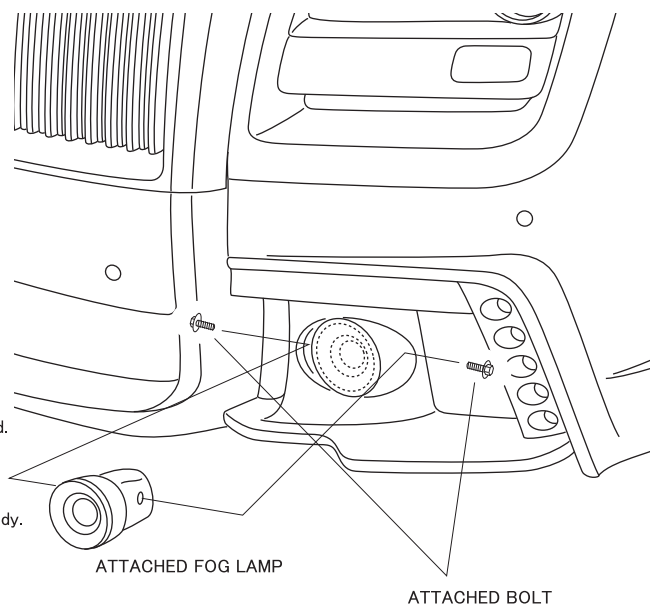
LED LAMP KIT & FOG LAMP

[BEFORE PAINTING]

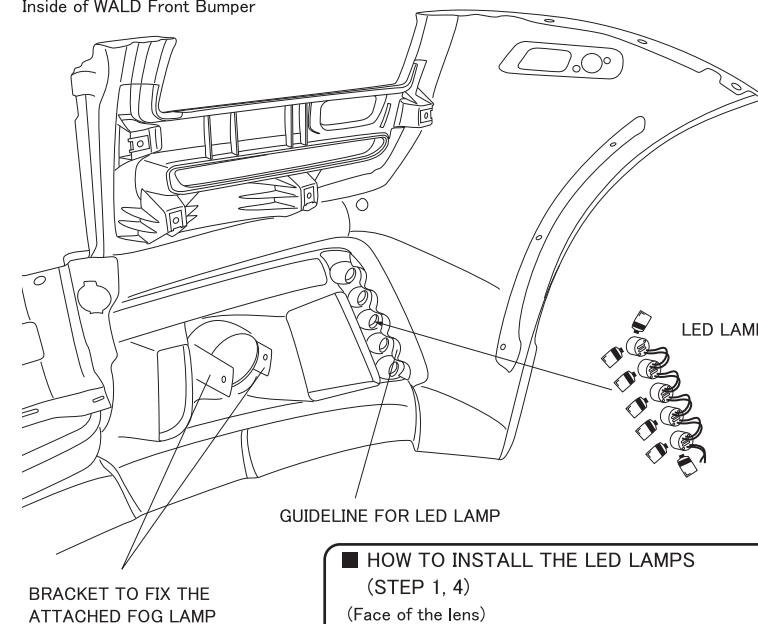
- 1) Temporarily install the LED lamps to the WALD Front Bumper from the rear.
- ※ Adjust the details of WALD Front Bumper by rasps or sandpapers.
- 2) Temporarily install the attached fog lamps to the WALD Front Bumper from the rear.
- ※ Adjust the details of WALD Front Bumper by rasps or sandpapers.
- 3) Prepare to connect the LED lamps with the attached remote control relay harness.
- ※ Insulate any spare harness.

[AFTER PAINTING]

- 4) Check the angle and location of the LED lamps after Completely degreasing the installation positions.
- 5) Use caulking glue to fix the LED lamps to WALD Front Bumper.
- 6) Holding the LED lamps firmly with masking tape till completely fixed.
- 7) Install the attached fog lamps to WALD Front Bumper with the attached bolts.
- 8) After checking all the details, install WALD Front Bumper to the body.



Inside of WALD Front Bumper



HOW TO INSTALL THE LED LAMPS (STEP 1, 4)

(Face of the lens)



Fix the LED lamps according to the picture.

Use heat resistant caulking glue to fix the LED lamps to WALD Front Bumper according to the picture.

ATTENTION

- ※ MAKE SURE THE ATTACHED FOG LAMPS AND LED LAMP KIT ARE FINE TO WORK BEFORE THE INSTALLATION.
- ※ ADJUST ALL THE DETAILS OF OUR PRODUCTS TO FIT ON A CAR PERFECTLY.

ROLLS-ROYCE GHOST

2010y~

WALD SPORTS LINE
BLACK BISON EDITION

INSTALLATION MANUAL
WALD
Sportliche Autoausrüstung WALD.International

THANK YOU FOR PURCHASING. THIS IS THE INSTALLATION MANUAL OF THE ATTACHED MESHES ON WALD FRONT BUMPERS FOR ROLLS-ROYCE GHOST.
PLEASE READ THIS MANUAL CAREFULLY BEFORE THE INSTALLATION.

ATTENTION



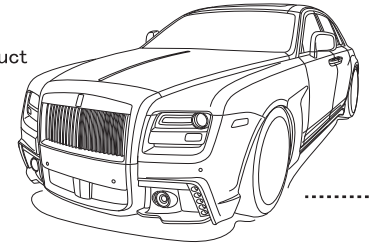
- ※ NO RETURNS CAN BE ACCEPTED BECAUSE OF IMPROPER INSTALLATION OR PAINTING.
- ※ CHECK THE FITMENT, AND ADJUST ALL THE DETAILS BEFORE PAINTING.
- We assume no responsibility for any damage resulting from improper installation, painting, modification and any cut wound in unsealing.
- Contact the car dealer when you have any question in removing OEM parts.
- During all the installation process, use parking brake and stop the engine completely.
- Use rasps or sandpapers to fit the products to the body if there is an individual difference.
- The product is made of FRP. Handle with care. Do not give the excessive force.
- Gradually fix the bolts and nuts by checking the fitment and balance of the installation.
- After making a hole on the body, make the corrosion treatment on it.
- Check the fitment, and adjust all the details of the fitment steady and proper.
- Please check the fitment and all the details regularly, fix the bolts and nuts as necessary.
- The instruction of painting is just our recommendation, please paint it as you like.
- ※ PLEASE BE AWARE OF:
- You may lose the warranty and all the services from the car maker, because of replacing OEM parts.
- Reduced road clearance may cause inconvenience in using parking curbs and garage jack.
- FRP, ABS and PPE products are slightly weaker than OEM parts in crashes.
- The product may not match the body and OEM color perfectly.

Please purchase double sided tape, primer and caulking glue at auto accessory shop or hardware store.

Completely degrease and paint primer on all the installation positions to enhance the viscosity of double sided tape.
Use dryer to warm double sided tape to enhance the viscosity in low temperature.
Keep the car in a dry condition more than 24 hours after gluing.
Do not wash the car during this time.

	PARTS	QUANTITIES
FRONT BUMPER	STAINLESS MESHES WITH FRAME	1 SET
	STAINLESS MESHES	4
	ALUMINIUM MESHES	6
REAR BUMPER	BRACKETS & BOLTS	8 SETS
	STAINLESS MESHES	4
	ALUMINIUM MESHES	4

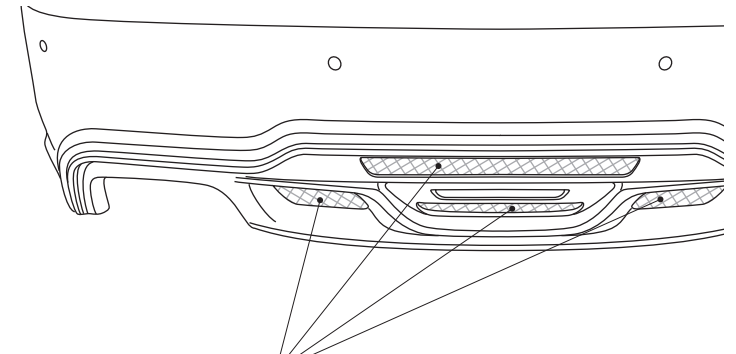
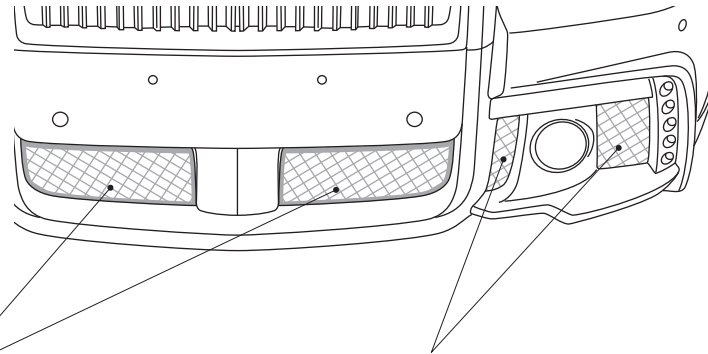
Use caulking glue to fill the gap to fill the gap between the product and the body.



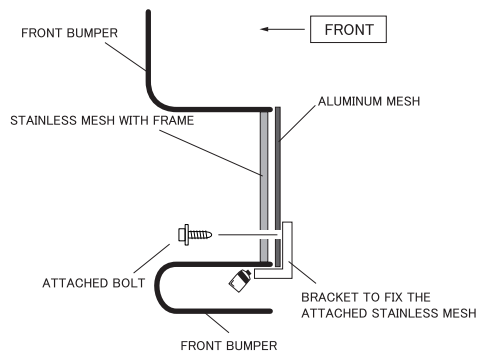
FRONT BUMPER & REAR BUMPER MESHES

[INSTALLATION]

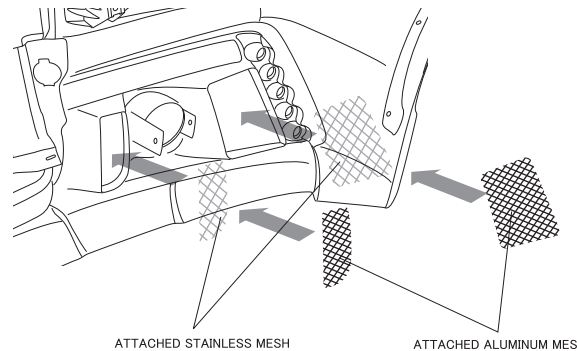
- 1) Install the attached aluminum meshes from the rear at the center ducts of WALD Front Bumper, then install the attached stainless meshes with frame from the outside.
- 2) Mark the location for the attached brackets to install the attached stainless meshes.
- 3) After taking off the attached meshes, then use caulking glue to fix the brackets on the marked position. Leave them till completely fixed with masking tape.
- 4) Use pins and caulking glue to install the attached meshes (piled aluminum and stainless meshes) for side ducts of WALD Front Bumper and Rear Bumper.



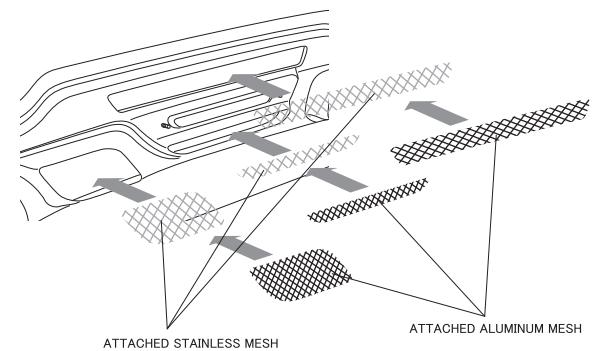
[CROSS SECTION OF THE CENTER DUCTS]



[RIGHT AND LEFT SIDE OF FRONT BUMPER]



[INSIDE OF REAR BUMPER]



Paint the attached aluminum meshes in black before installing.